

Data Sheet

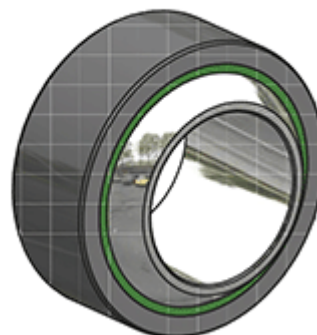
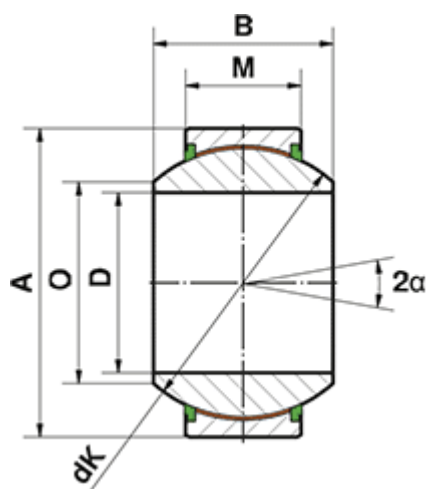


Article number: 03446120

Description: Fluro Heavy Duty Spherical Plain Bearing GE 120 GW-2RS
Hole \varnothing 120

Note: 120

Measures



	= -	Dynamic load C (kN) = 3015
	= -	M = 70
	= -	O = 138.4
A	= 210	Static load C0 (kN) = 5025
a (degrees)	= 16	Weight (g) = 14600
B	= 115	
D	= 120	
dK	= 180	